

FINZ™

High Impact Fan Air Nozzle



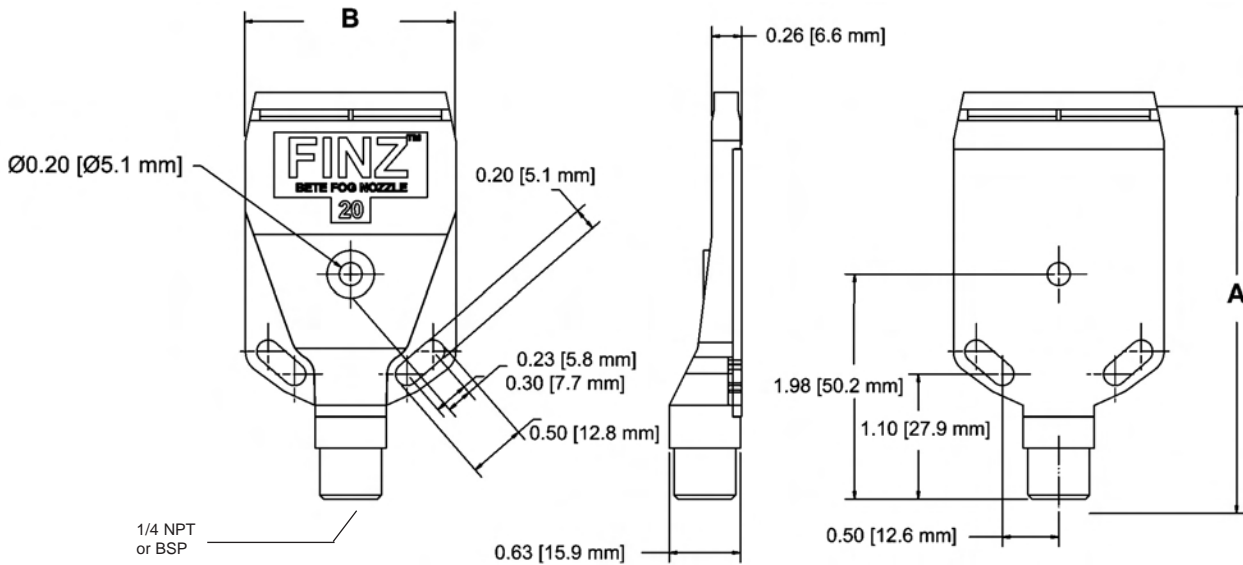
DESIGN FEATURES

- Controlled wide uniform distribution and high impact coverage of compressed air
- Can be mounted individually or side-by-side for greater coverage
- Efficient air flow with unique eductor feature
- Safe operation—meets OSHA specifications for noise and deadhead pressure
- 1/4" male connection is molded to fit either NPT or BSP
- Up to 2 dB quieter than competing designs

- Rugged construction of Ryton® or ABS plastic. Ryton® rated to 300°F at 40 psi
- Maximum operating pressure 100 psi

SPRAY CHARACTERISTICS

Spray pattern: Fan
Air Flow Rates: 4 to 41 SCFM at 10 to 90 psi



Dimensions are approximate. Check with BETE for critical dimension applications.

FINZ High Impact Air Nozzle

Male NPT BSP	Nozzle Number	Air Capacity SCFM				Approx. Dim. in.		Wt. (oz.)
		10 PSI	30 PSI	60 PSI	90 PSI	A	B	
1/4"	FZ20	4	8	12	16	3.58	1.85	1.0
	FZ29	7	13	21	28			
	FZ41	9	18	30	41			

Standard Materials: Ryton® and ABS plastic.

Ryton is a trademark of Phillips Petroleum company

SPECIAL PURPOSE

TO ORDER: specify pipe size, connection type, nozzle number and material.